


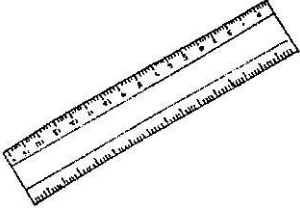


DIVINE TRUST LEARNING CENTRE

POST COVID 19 ASSESSMENT 2021

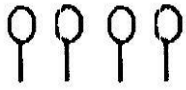
Name: \_\_\_\_\_

Name: \_\_\_\_\_

1. Draw and write.

 <p>v</p>	
 <p>r</p>	
 <p>j</p>	
 <p>y</p>	

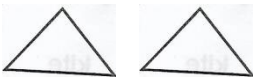
2. Count and write.



$= 4$



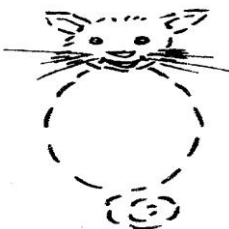
$=$



$=$



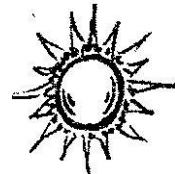
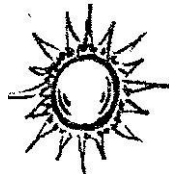
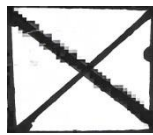
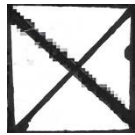
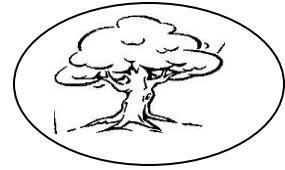
$=$



$=$

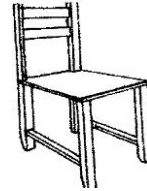
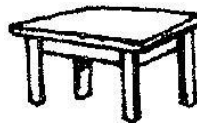
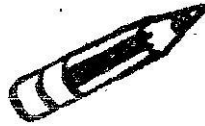
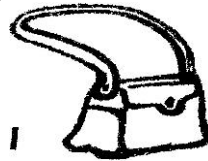
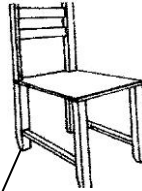
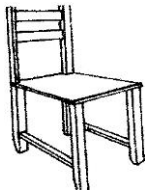
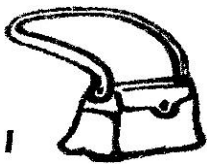
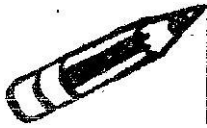
3.

Circle the odd man out.



4.

Match correctly.



5.

Shade neatly.

