

DIVINE TRUST LEARNING CENTRE

BEGINNING OF TERM III EXAMINATIONS 2017

P.4 INTEGRATED SCIENCE

NAME: _____

SECTION A (40 MARKS).

1. Write the term used to mean moving air.
.....
2. Which class of food provides energy to the body?
.....
3. Why should millet seeds be well dried before storing them?
.....
4. A part from breathing , mention any one other characteristics of living things.
.....
5. Mention the part of a flower that develops into seeds after fertilization.
.....
6. Identify the deficiency disease caused by lack of vitamin D in the body.
.....
7. How are rat guards important on a granary?
.....
8. What type of soil is good for making pots?
.....
9. Name the part of a maize grain that stores food?
.....
10. State any one importance of feeding on a balanced diet.
.....
11. Why should we boil water for drinking?
.....
12. Give any one example of an annual crop commonly grown in your area.
.....
13. Mention the best season for farmers to harvest their ready crops.
.....
14. Name the system of a flowering plant that grows above the ground level.
.....

15. Fill in the missing word of the 4Fs.

Faeces	_____	Food	Fingers
--------	-------	------	---------

16. How is the heart useful in the human body?

.....

17. Name the food value people get through eating fish.

.....

18. Identify the vitamin made by the skin using heat from the sun.

.....

19. Name the structures on a leaf used for breathing .

.....

20. Mention any one material used to clean our bodies.

.....

21. What do ovules of a flower develop into after fertilization?

.....

22. Identify any one disease spread by house flies to people.

.....

23. Name the weather instrument used to measure the amount of rain fall received in an area.

.....

24. How can kwashiorkor be prevented in children.

.....

25. How is the sun important to crop farmers.

.....

26. Give any one importance of roots to plants.

.....

27. State any one way crops can be cared for in a garden.

.....

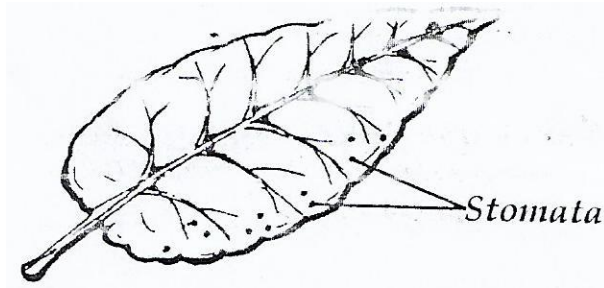
28. Name the disease spread by female anopheles mosquitoes to people.

.....

29. Mention any one item found in a first Aid box.

.....

The diagram below is a leaf. Use it to answer question 30 and 31.



- 30. Name the type of leaf shown in the diagram above.
.....
- 31. How are stomata on the leaf important to a plant?
.....
- 32. Mention the type of clouds which are clear sign of rain.
.....
- 33. Which part of air is needed by seeds during germination.
.....
- 34. Name the human body organ used for breathing.
.....
- 35. Mention the natural source of light in the environment .
.....
- 36. Write the disease caused due to lack of iodine in the body.
.....
- 37. Mention any one item used for washing hands before eating food.
.....
- 38. Give any one reason why people eat food.
.....
- 39. Give one danger of eating contaminated food.
.....
- 40. Why do people keep dogs in a home.
.....

SECTION B (60 MARKS)

- 41. (a) A part from maize, give any two other examples of monocotyledonous plants.
.....
.....
- (b) Identify the type of root system found in monocotyledonous plants.
.....
- (c) How is the germination of monocotyledonous plants different from that of dicotyledonous plants.

.....
.....
42. (a) Match the diseases in list A to their causes in list B.

LIST A

Marasmus

Night blindness

Beriberi

Scurvy

LIST B

lack of vitamin A

lack of vitamin B1

lack of vitamin C

lack of carbohydrates.

(a) Marasmus: _____

(b) Night blindness: _____

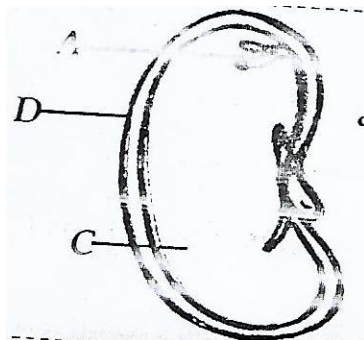
(c) Beriberi : _____

(d) Scurvy : _____

43. (a) Write any two types of plants.
.....
.....

(b) Give any two functions of stems to plants.
.....
.....

44. The diagram below shows a bean seed. Use it to answer the questions that follow.



(a) Name the parts labelled A and C.

A:..... B:.....

(b) How is part D important on the seed above.
.....

(c) What food value is got from eating beans?
.....

45. (a) Name the part of air used in the following processes.

(i) Putting out fire.....

(ii) Breathing in by animals.....

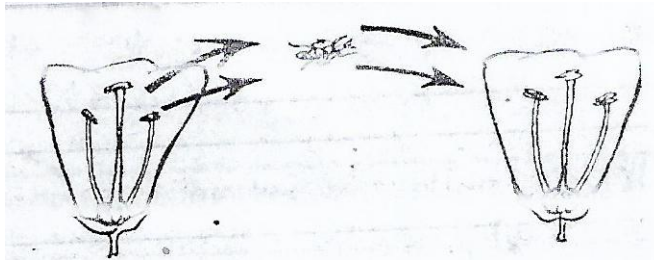
(b) Give any two uses of wind in the environment.

.....
.....
46. (a) Why are ground nuts regarded as annual crops?

.....
(b) A part from ground nuts, mention other two annual crops.
.....
.....

(c) Give any one example of a perennial crop.
.....

47. Use the diagrams of flowers below to answer the questions that follow.



(a) Name the type of pollination in the diagram above.
.....

(b) Mention the two agents of pollination.
.....
.....

(c) State any one characteristic of insect pollinated flowers.
.....

48. (a) Give any one reason why trees climb others.
.....

(b) Mention any two ways plants climb others.
.....
.....

(c) Name the structures used by a passion fruit plant to climb.
.....

49. (a) How important are prop roots to a maize plant?
.....

(b) A part from maize, give any two other plants with prop roots.
.....
.....

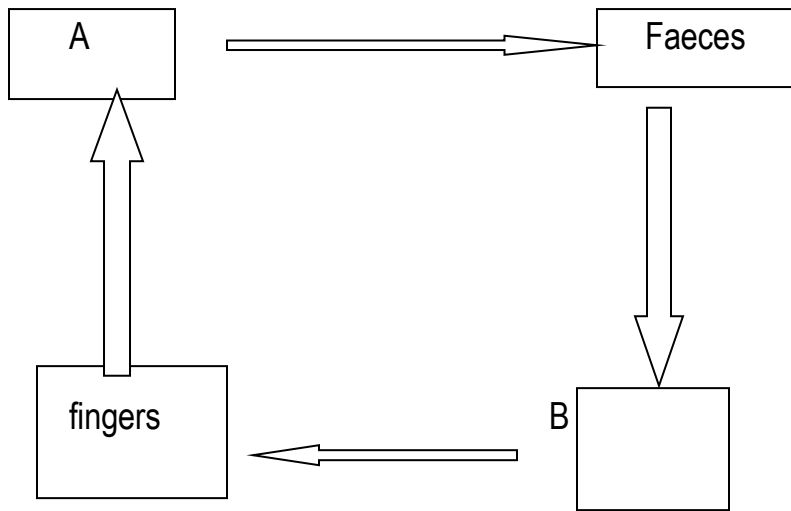
(c) Which type of leaf venation is found in maize plants.
.....

50. (a) What is germination?

.....
.....
(b) Mention any two conditions necessary for germination to take place.
.....

.....
(c) Name the hole on a bean seed that allows in water during germination.
.....

51. The diagram below shows the 4Fs as used in a germ path. Use it to answer the questions that follow.



(a) Write the missing word in boxes A and B.

A: _____ B: _____

(b) Identify any two diseases spread through the 4Fs germs path to people.
.....
.....

52. (a) A part from glow foods, give any other two classes of food.
.....
.....

(b) How are glow foods important to the body?
.....

(c) Give any one importance of food in the body.
.....

53. (a) State any two advantages of mulching the garden.
.....
.....

(b) Mention any two materials used for mulching.

.....
.....
54. (a) A part from mosquitoes, mention any two disease vectors in the environment.
.....
.....

(b) Which mosquito spreads malaria?
.....

(c) Why should we sleep under mosquito nets?
.....

55. (a) What are crop pests?
.....
.....

(b) Give any two examples of pests that destroys crops in the garden.
.....
.....

(c) State any one way of controlling pests in the garden?
.....

END.